



BEYOND SECURITY

KABA[®]

Kerberos Tripod Barriers

Quick. Reliable. Easy to use.

«Reception area of a head office - 850 members of staff and visitors a day.»

«Ministry of Economics, 8.00 am - 250 employees start work at the same time.»





High-quality Kerberos Turnstiles

Kerberos turnstiles relieve reception staff and take over access control in the most varied situations. Our proven control technology comfortably controls user flow even in times of high throughput.

Versatility

For access to the premises or the company building a variety of attractive designs for single or multiple installations are available. The high-quality tripod barriers are made of stainless steel and suitable for indoor and outdoor installation.

Clearing and barring passage automatically

In case of panic versions with foldable bars clear the escape route in both directions¹. A mechanism patented for Kaba allows automatic reset of the folded bar as soon as the critical event is over. Folding and unfolding both may be initiated

by authorized reception staff with an operating device, for example for a goods transport.

Minimal Energy Consumption

The quiet low-energy drive consumes only very little energy and due to the low forces minimizes the risk of injury for the users during rotation.

¹⁾ Individual approvals required (competent construction authority)

Throughput rate	=	up to 45 per minute
Security level	=	● ○ ○ ○ ○
Comfort	=	● ● ● ○ ○
Personal safety	=	● ● ● ● ○
Staff supervision	=	yes



As solution for handicapped access we offer swing doors in matching design.

Advantages of Kerberos Turnstiles

The products are developed with a clear focus on the requirements of users, operators and the structural environment.

- > Foldable bars and patented automatic reset
- > Modular single and multiple installation
- > Comfortable passage thanks to endpoint locking
- > Minimal energy consumption due to low-energy drive
- > Marginal risk of injury due to low-energy drive
- > Suitable for outdoor installation
- > Suitable for escape route installation
- > Barrier-free solutions in connection with automatic swing doors in matching design

The fitting solution for any entrance situation



In the reception area as receptionist support



Various installation variants in combination with guiding bars and swing doors



Mobile application on pallet



Multiple units in large entrance hall

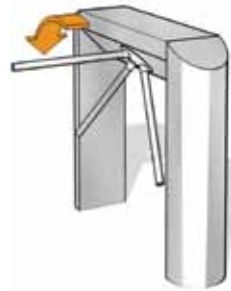


Access to premises, outdoor area

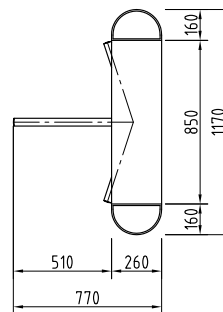
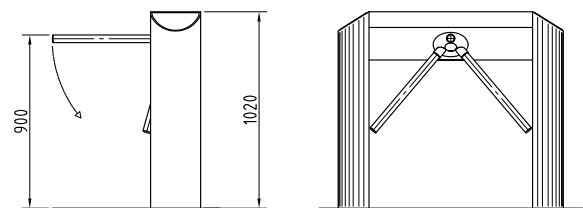


Compact solution for low depth rooms

Basic Equipment



		TPB-E02
Construction	Description	Housing and base columns mounted as a single unit (no back plate between base columns).
	Material housing	Stainless steel AISI 304.
	Material base columns, ground plate or flange	Stainless steel AISI 304.
	Material crossbars	Stainless steel AISI 304.
Finish		Stainless steel satin finish.
Function		Typ 0 *
		Typ 1.1 **
		Typ 1.2 ***
		Typ 2 ****
Electrical Component		Control system integrated in the unit.
		Power supply 110-230 VAC, 50/60 Hz.
		Standby power consumption 10 VA.
Installation		Dowelled on finished floor level FFL.
		Suitable for outdoor installation!
Protection class		Housing IP 33, components conducting supply voltage IP 43.



- * Typ 0 manual motion; mechanically free in one direction/ opposite direction blocked
- ** Typ 1.1 manual motion; 1 direction electrically controlled/ opposite direction locked (both directions currentless closed)
- *** Typ 1.2 manual motion; 2 directions electrically controlled (both directions currentless closed)
- **** Typ 2 power assisted motion; servo-positioning drive/ 2 directions electrically controlled



TPB-S03

Housing with base column and base plate.

Aluminium.

Stainless steel AISI 304.

Stainless steel AISI 304.

Stainless steel satin finish, aluminium lacquered according to RAL
Typ 2 ****

TPB-C01

Housing and base columns enclosed with additional stainless steel back plate between base columns

Stainless steel 304.

Stainless steel 304.

Stainless steel 304.

Stainless steel satin finish.
Typ 2 ****

Control system integrated in the unit.

Power supply 110-230 VAC, 50/60 Hz.

Standby power consumption 10 VA.

Dowelled on finished floor level FFL.

Suitable for outdoor installation!

Housing IP 33, components conducting supply voltage IP 43.

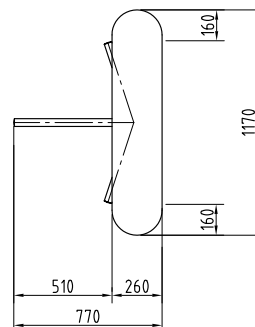
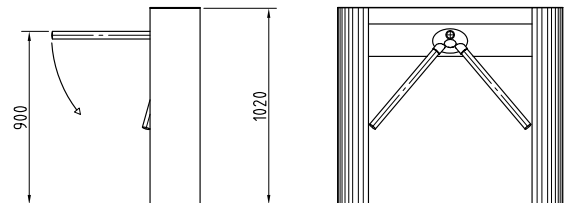
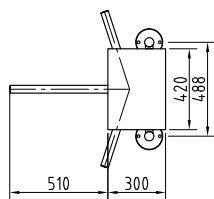
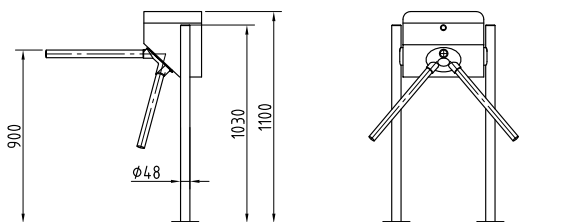
Control system integrated in the unit.

Power supply 110-230 VAC, 50/60 Hz.

Standby power consumption 10 VA.

Dowelled on finished floor level FFL.

Not suitable for outdoor installation!

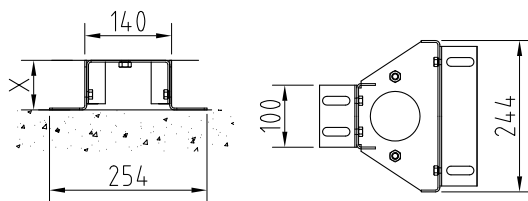


Options depending on unit type and motor assembly

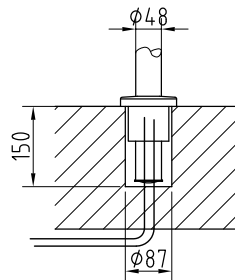
	TPB-E02	TPB-S03	TPB-C01
Construction			
Wooden cover plate.			•
Function			
Counter, random generator with horn.	•	•	•
Escape route module with emergency push-button, additional emergency push-button available.	•	•	•
Collapsible bars with type 1.1, 1.2 and 2 motor assemblies, automatic reset for type 2 units.	•	•	•
Electrical Components			
Installation preparation for components provided by customer on flat surface.	•		•
Push-button mounted on flat surface.	•	•	•
Operating panels and frames or housings for surface installation.	•	•	•
Additional I/O boards to expand existing inputs and outputs with motor assembly type 2.	•	•	•
Various signal devices.	•	•	•
End wiring distributor (connection of max. four OPLs possible).	•	•	•
Power supply plug to supply external knots, 24 VDC/1A, for connected units.	•	•	•
Installation			
Pallet with stainless steel ramp and rubber covering, appr. 1,0 x 1,5 m, height 32 mm.	•	•	•
On subconstruction X = 80 - 160 mm for structural floor level.	•	•	•
With cast in clamping sleeves and rosettes for structural floor level.		•	

Installation alternatives

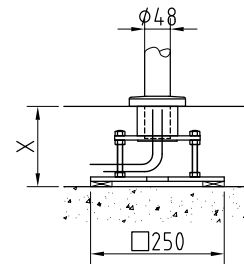
Base frame TPB-E02/C01



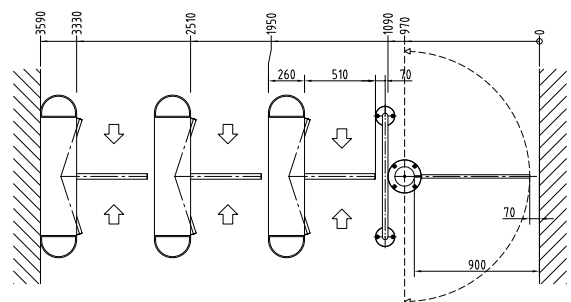
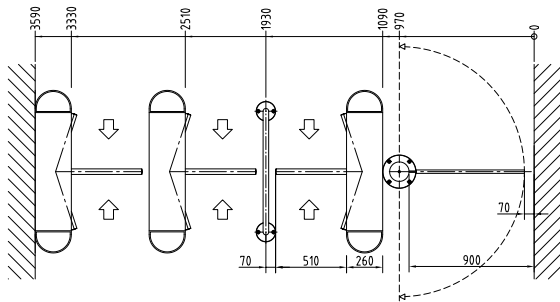
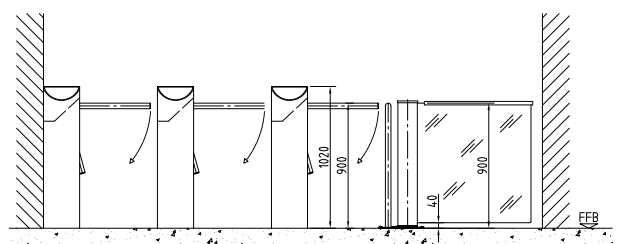
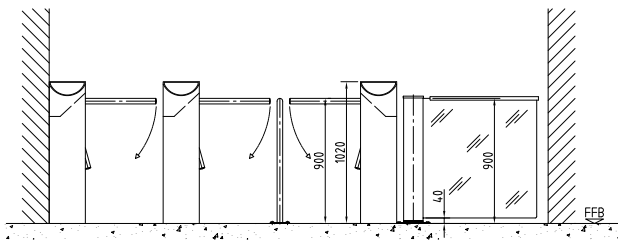
Cast-in TPB-S03



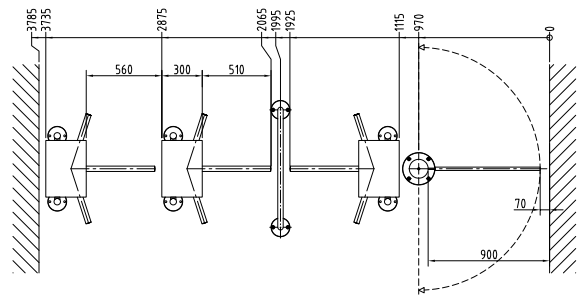
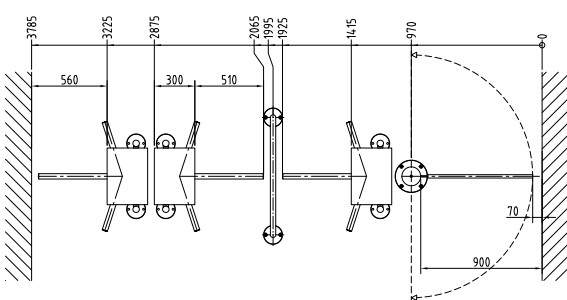
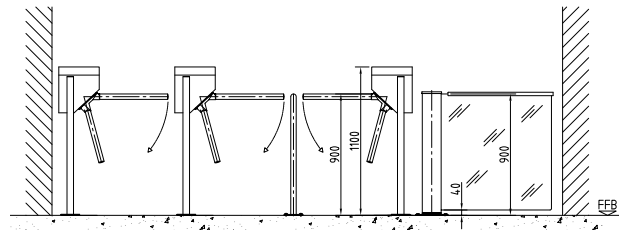
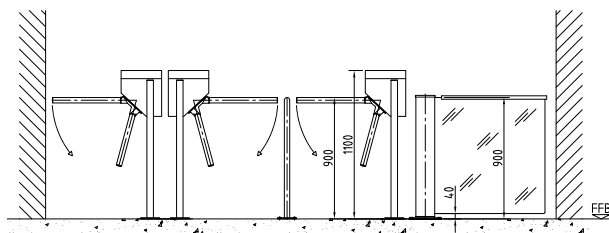
Base frame TPB-S03



Assembly diagram



for instance TPB-E02



for instance TPB-S03



BEYOND SECURITY